

MICRO SWITCH

FREEPORT, ILLINOIS, U.S.A.
A DIVISION OF HONEYWELL

FED. MFG. CODE 91929

SWITCH-TOGGLE

CATALOG LISTING
12TS115 SERIES

CHART 1

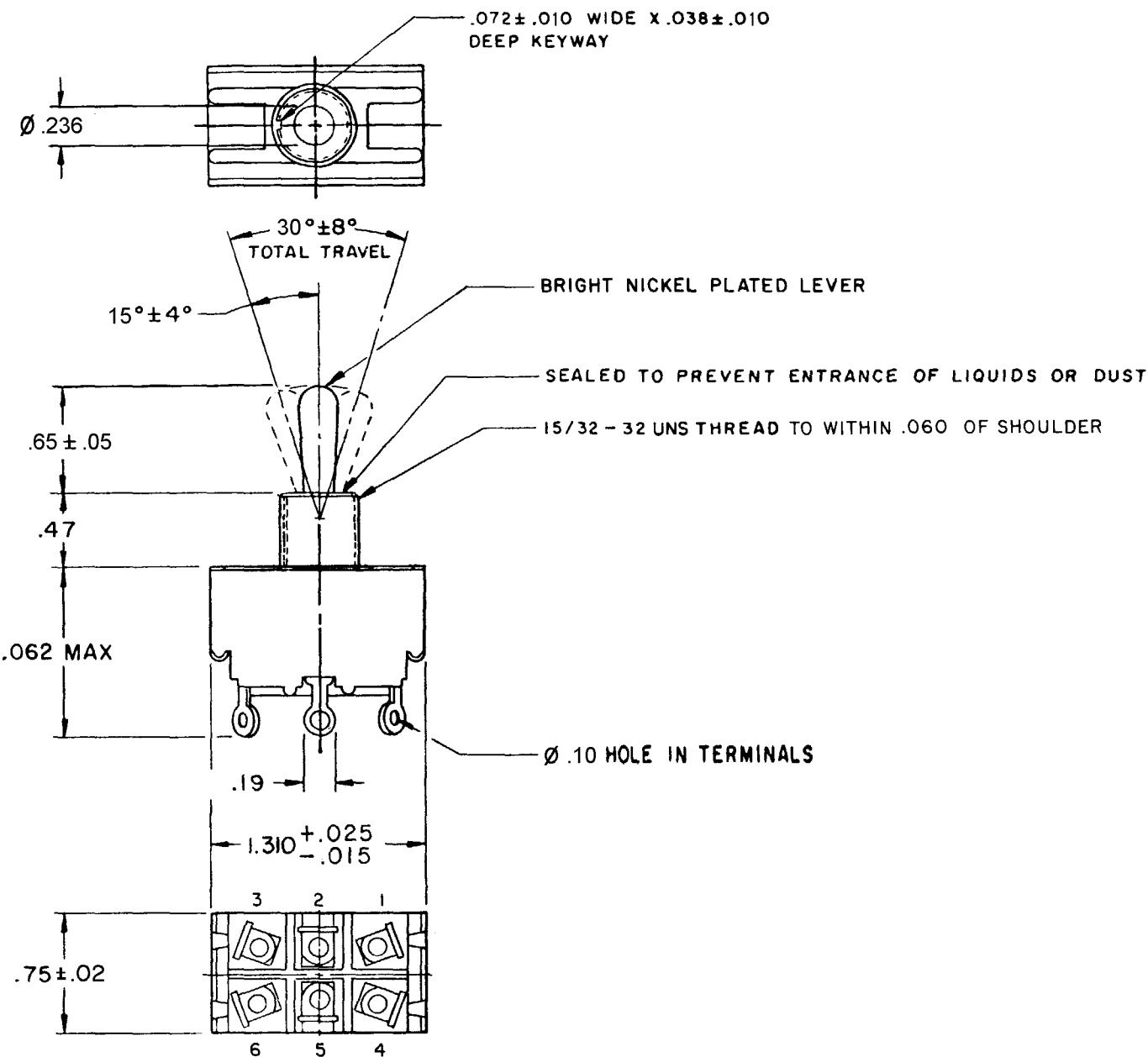
THIS DRAWING COVERS A PROPRIETARY ITEM AND IS THE PROPERTY OF MICRO SWITCH, A DIVISION OF MINNEAPOLIS-HONEYWELL REGULATOR CO. THIS DRAWING IS NOT TO BE COPIED OR USED WITHOUT THE APPROVAL OF MICRO SWITCH.

CATALOG LISTING
12TS115 SERIES CHART 1
PAGE 1 OF 1

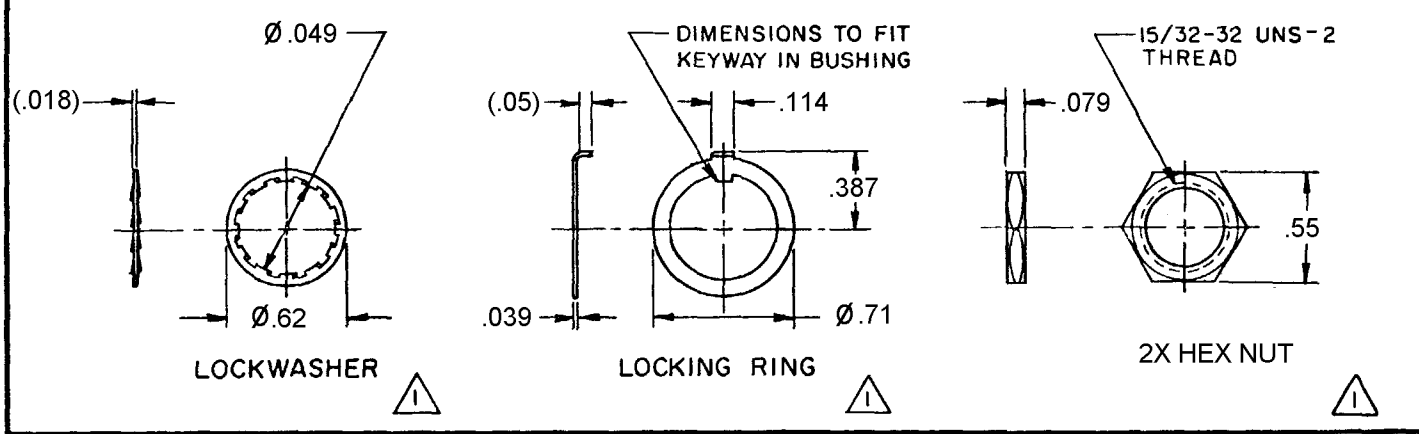
REVISIONS

A	C080402	JALA	11 APR 95
B	C093667	JAF	26 JAN 99
C	C095303	CSL	15 NOV 99
D	203418	CSL	26 JUN 01
E	0001095	JAH	12 AUG 03

REPLACES
RELEASE NO. CO-29429
CHECK
DRAWN
D B W 6 OCT 72
MASTER



CAT. LIST.	CIRCUIT WITH TOGGLE IN			ELECTRICAL DATA	RELEASE NO.
	EXTREME POSITION KEYWAY 1-2	CENTER 4-5	EXTREME POSITION OPPOSITE 2-3 5-6		
12TS115-1	ON	OFF	ON	L312 10A 277 VAC, 20A 125 VAC 1 1/2 HP 125, 250 VAC 	SR-5080
12TS115-2	OFF	NONE	ON		SR-5081
12TS115-3	ON	NONE	ON		SR-5082
(B)	NONE	OFF	ON		ETS
12TS115-5	MOM ON	OFF	ON		SR-5085
(C)	MOM ON	NONE	OFF		SR-5086
(D)	MOM ON	OFF	MOM ON		SR-5087
12TS115-8	MOM ON	NONE	ON		SR-5088
(D)	MOM OFF	NONE	ON	ETS	
(B)	MOM ON	OFF	NONE	ETS	



NOTES
1 FURNISHED UNASSEMBLED
2 - VISUAL DIFFERENCES IN TERMINAL SHAPES AND PLATING POSSIBLE

SCALE FULL
DO NOT SCALE PRINT
UNLESS OTHERWISE NOTED
DIMENSIONS ARE IN INCHES
TOLERANCES ARE:
ONE PLACE ±.01 ±.030
TWO PLACE ±.001 ±.015
THREE PLACE ±.0001 ±.005
ANGLES ±
WEIGHT .10 LB MAX